

- a. Application of proof loads shall be similar to the method shown in Figure 11.
- b. Proof loads shall be applied first to one side of the bearing, and then the bearing shall be turned over and proof-loaded on the opposite side. The sides shall be so identified on the submitted data.

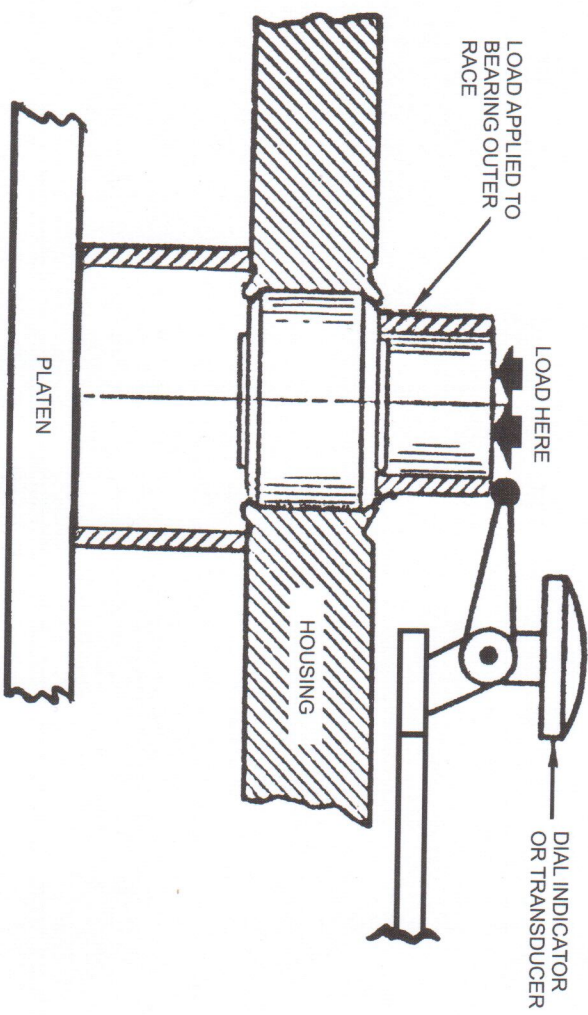


Figure 11. Use of Swaging Roller

The Boeing Company,
Mesa
Printed document is a reference document only. Verify document date with on-line system.